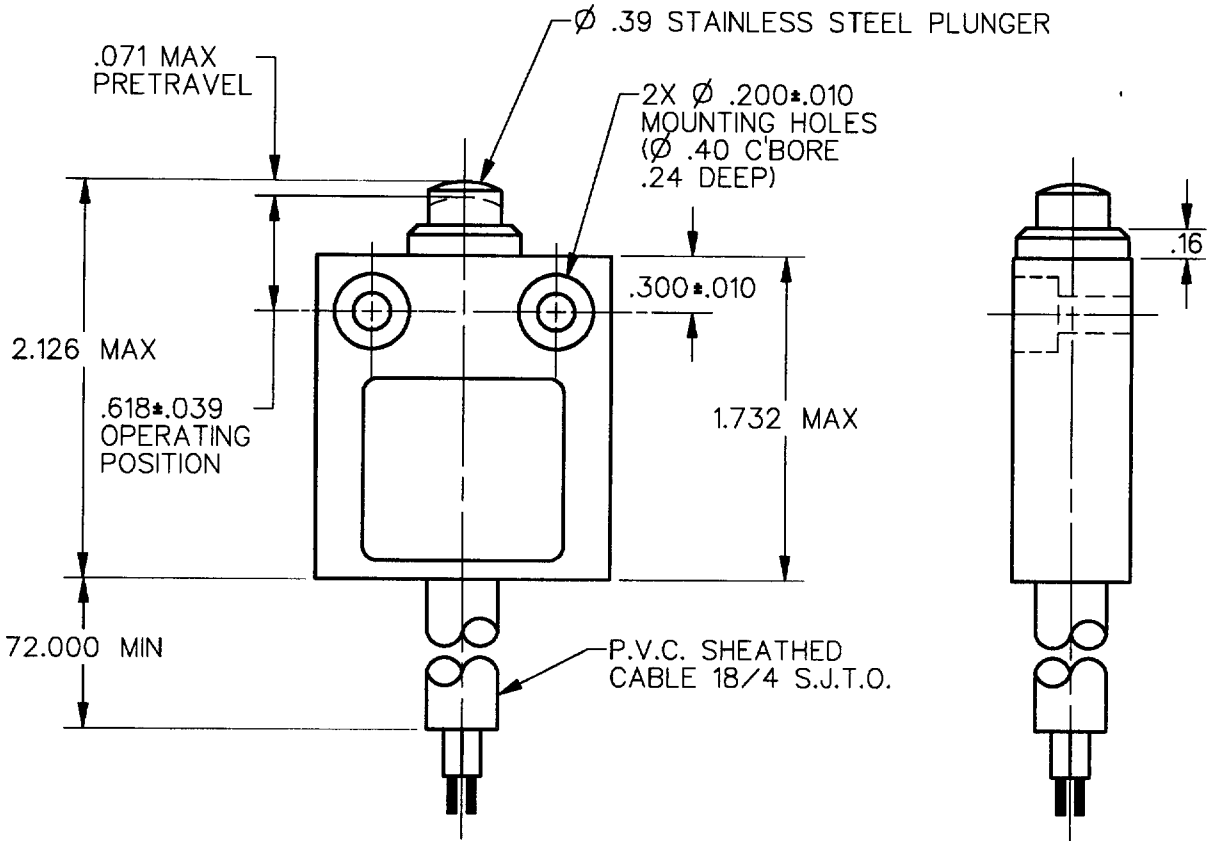
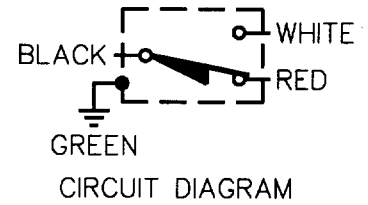
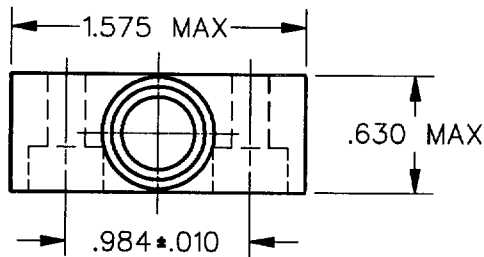


MICRO SWITCH
a Honeywell Division

FED. MFG. CODE 91829

MINIATURE PRECISION
LIMIT SWITCH

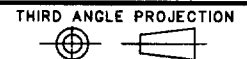
CATALOG LISTING
914CE1-6



NOTES
1 - ZINC HOUSING FINISHED WITH GRAY PAINT

ANSI Y14.5M-1982 APPLIES

THIS DRAWING COVERS A PROPRIETARY ITEM AND IS THE PROPERTY OF MICRO SWITCH, A DIVISION OF HONEYWELL. THIS DRAWING IS NOT TO BE COPIED OR USED WITHOUT THE APPROVAL OF MICRO SWITCH.



CHARACTERISTICS	ELECTRICAL DATA	SCALE FULL	DO NOT SCALE PRINT
		CONTACT ARRANGEMENT S P D T 5A - 250 VAC 1/10HP - 125 OR 250 VAC 	
ONE PLACE (.0)	±.030		
OPERATING FORCE — — — 2.7 LB MAX		TWO PLACE (.00)	±.015
RELEASE FORCE — — — 1.0 LB MAX		THREE PLACE (.000)	±.005
DIFFERENTIAL TRAVEL — — — .004 MAX		ANGLES	±
OVERTRAVEL — — — — .118 MIN		WEIGHT	

914CE1-6
 M
 DRAWING NUMBER
 4
 ISSUE
 REVISIONS
 A CO-69061
 S A V
 29 AUG 91
 CHECK
 13 NOV 91
 CHECK
 29 AUG 91
 DDM/CAD
 DRAWN